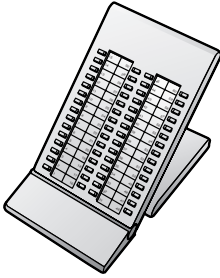


Panasonic

Digital DSS Console

Quick Reference Guide

Model No. KX-T7640



Before Initial Use

Thank you for purchasing the Panasonic KX-T7640, Digital DSS Console. Please read this manual carefully before using this product and save this manual for future use.

This manual is designed to be used with your Digital DSS Console and a Panasonic KX-TDA series Business Telephone System.

The Digital DSS Console can be used with any Panasonic model KX-T7600 series, Digital Proprietary Telephone (e.g., KX-T7625, KX-T7630, KX-T7633, KX-T7636).

The Digital DSS Console must be connected directly to the main unit.

◆ Accessories

| | |
|-------------------------------|---|
| Telephone line cord..... | 1 |
| Attachment Plate | 1 |
| Screws..... | 4 |
| Wall Mounting Adaptor * | 1 |

* This telephone comes with the wall mounting adaptor already attached. To remove the adaptor for desktop operation, push the adaptor toward the top of the unit while pressing the two tabs.

Caution

- If there is any trouble, disconnect the Digital DSS Console from the telephone line and have it repaired.
- Keep the unit away from heating appliances and electrical noise generating devices such as fluorescent lamps, motors and televisions. These noise sources can interfere with the performance of the unit.
- This unit should be kept free of dust, moisture, high temperature (more than 40 °C) and vibration, and should not be exposed to direct sunlight.
- Do not use benzine, thinner, or the like, or any abrasive powder to clean the cabinet. Wipe it with a soft cloth.

WARNING:

TO PREVENT THE RISK OF FIRE OR ELECTRIC SHOCK, DO NOT EXPOSE THIS PRODUCT TO RAIN OR ANY TYPE OF MOISTURE.

- This Class B digital apparatus complies with Canadian ICES-003.

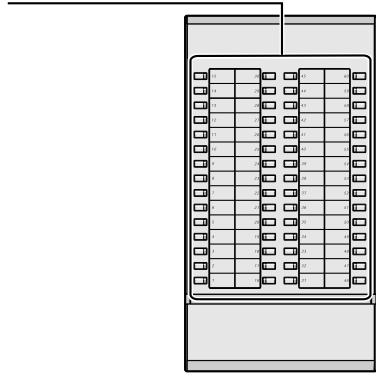
Location of Controls

DSS Buttons with Busy Lamp Field (BLF):

To access an extension, simply press a DSS button.

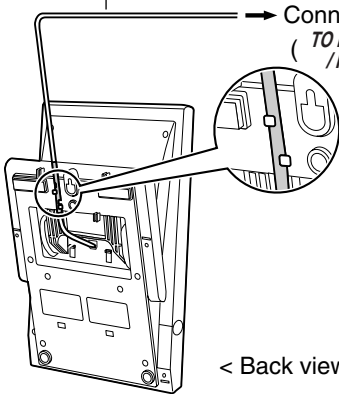
These buttons also can be assigned for the One-touch Dialling and reassigned to other features.

The BLF indicates the current status of the corresponding extension.



Connection

The telephone line cord (included)



→ Connect to a KX-TDA series Business Telephone System (TO MAIN UNIT / PABX).

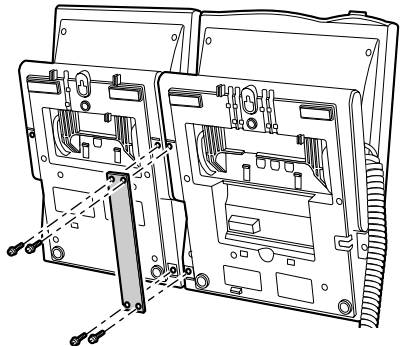
CAUTION
Ensure the cord is inserted in the groove to prevent damage to the connector.

< Back view >

Attaching a Proprietary Telephone

This unit can be bolted to a Panasonic digital proprietary telephone (KX-T7625, KX-T7630, KX-T7633, KX-T7636).

Use the attached plate and screws.



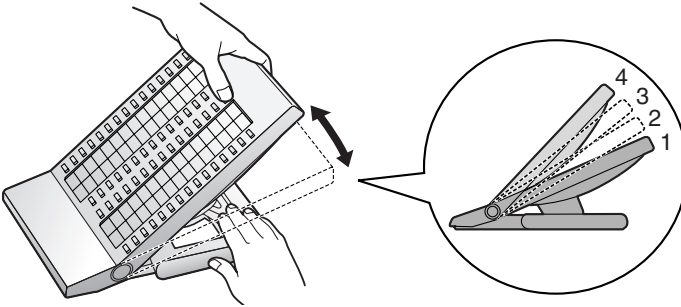
Tilt Angle Adjustment

The tilt angle of the operation board can be adjusted to one of four angles.

To lift: Lift up the operation board to the desired step-angle (1 → 2 → 3 → 4).

To set down: Lift up the operation board to the highest angle and then press down to step-angle 1.

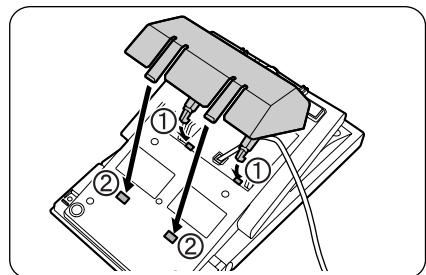
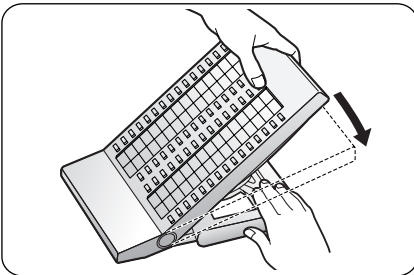
Be careful not to get your fingers caught between the base and the operation board.



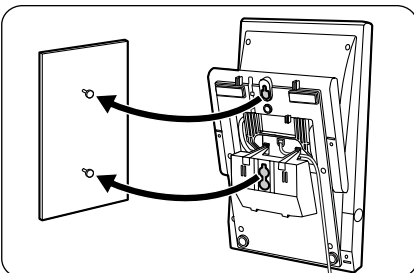
Wall Mounting

This unit can be mounted on a wall.

- 1 Set the operation board to step-angle 1.
- 2 Connect the telephone line cord, and then attach ① first and then ② of the wall mounting adaptor.



- 3 Mount the unit on the wall.



Copyright:

This manual is copyrighted by Panasonic Communications Co., Ltd. (PCC). Under the applicable copyright laws, this manual may not be reproduced in any form, in whole or part, without the prior written consent of PCC.

© 2003 Panasonic Communications Co., Ltd. All Rights Reserved.

Panasonic Canada Inc.

5770 Ambler Drive, Mississauga, ON L4W2T3